



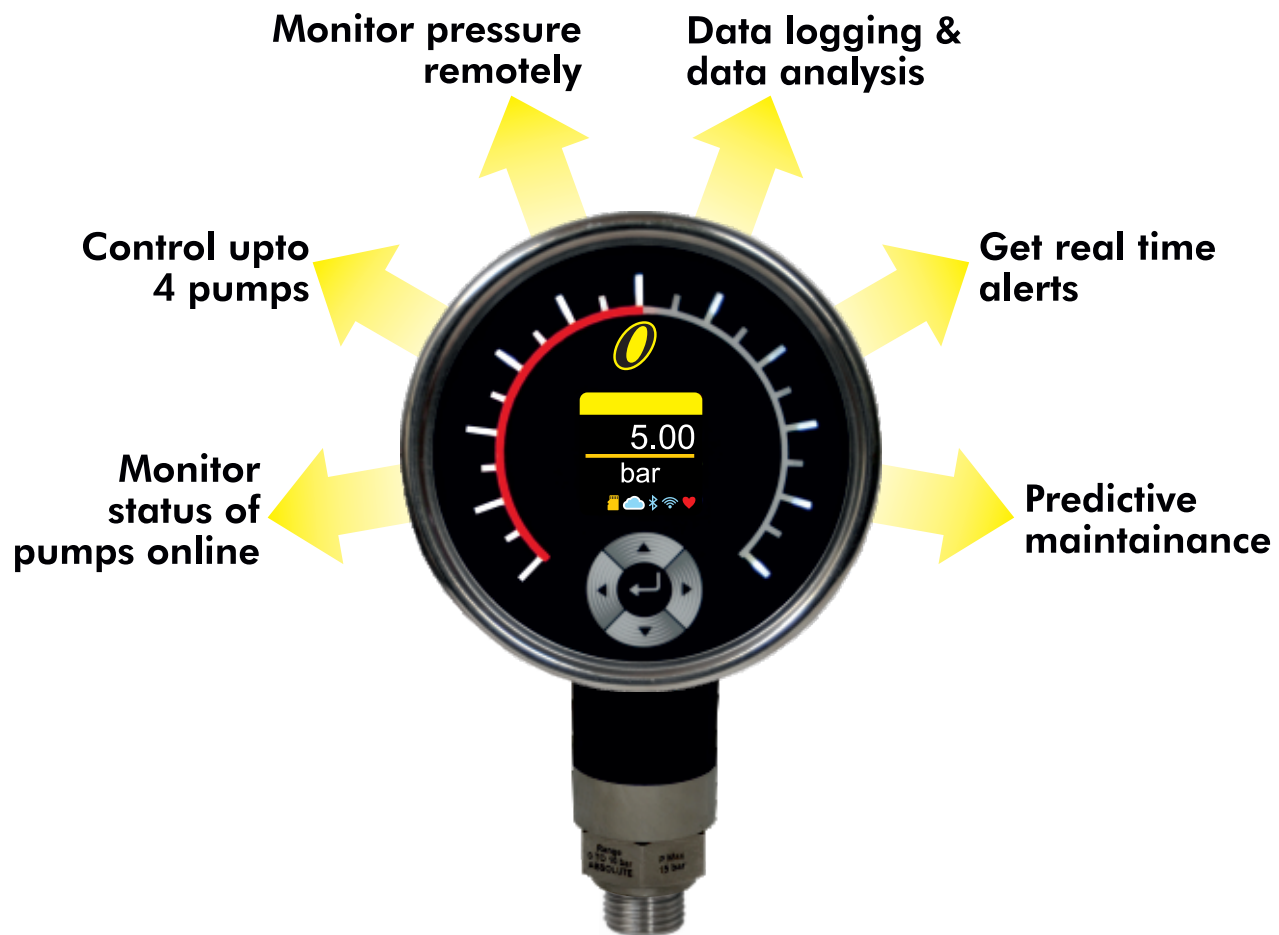
Ogauge Firefighting Monitoring System (OFMS)



KEY FEATURES

- Simple, plug & play solution
- Communication via Wifi / GSM dongle
- Tamperproof with a role based access
- Wireless data transfer
- Can be retrofitted
- With power backup

With **ONE Ogaug** you can...

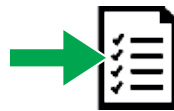


UNIQUE FEATURES:



Pump Control

4 on-board relays makes it possible to control upto four pumps with only one Ogaug.



Data Logging

With an in-built datalogger, process data upto 8 years can be stored.



Integration with DCS

With 2 analog outputs Ogaug can be integrated with BMS/DCS/SCADA systems.



Web-based Dashboard

Through an online dashboard the user can monitor the water pressure, pump operation & do data analysis.



Real Time Alerts

Receive alerts in real time in case of fire breakout.



Mobile App Configuration

Configure the Ogaug with a Bluetooth mobile app.

TECHNICAL DATA

Input Data

Measuring ranges : 0 bar to 100 bar

Overload pressures : 1.5 times FSR

Tightening torque : 20 Nm

Mechanical connection : Threaded port 1/2" BSPM
(other options available)

Supply Voltage : 18...32 VDC

Electrical connection : 19-pole, circular MIL connector

Output Data

Accuracy : $\leq \pm 0.25\%$ FS max.

Repeatability : $\leq \pm 0.1\%$ FS max.

Analogue output : 4 .. 20 mA ohmic resistance
 ≤ 400 Ohms

0 .. 10 V ohmic resistance ≥ 2 kOhms

Switch Outputs :

Type : 4 hermetically sealed SPDT relays with change-over contacts (independent potential free contacts)

Switching voltage and current :

5 A, 250 VAC / 5 A, 30 VDC

Reaction time : < 20 ms

Environmental Conditions

Operating temperature range : $-25 .. +60$ °C

Storage temperature range: $-40 .. +80$ °C

Fluid temperature range : $-25 .. +80$ °C

(Also generally complies with EN 50178, Tab. 7, Type C, Class 4K4H Operation, 1K4 Storage, 1K3 Transport)

Protection class : IP 66

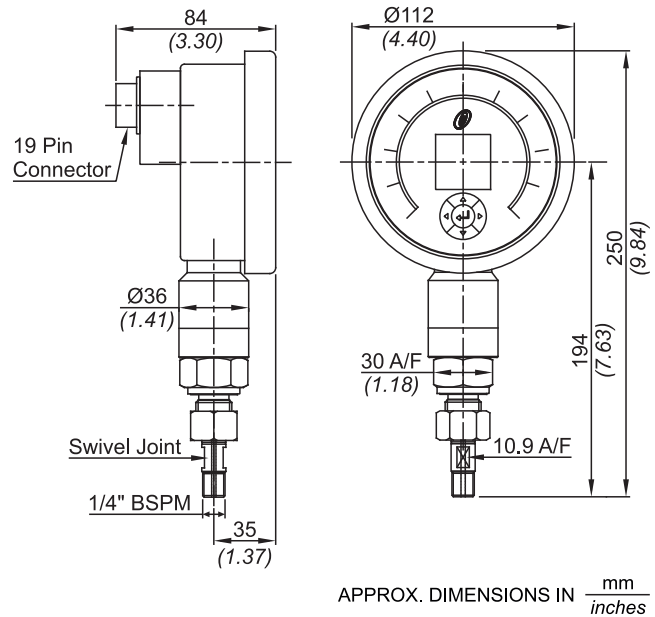
Other Data

Display : Full colour OLED display

Housing material : Stainless Steel case

Weight : ~ 800 g (noted for popular pressure gauge device type, varies with models)

Ogauge Installation Drawing

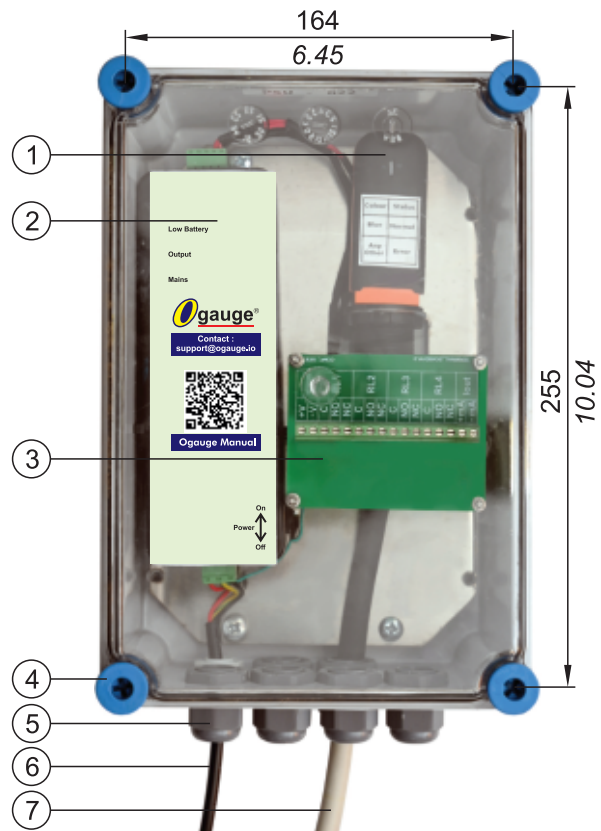


OFMS POWER SUPPLY BOX WITH BACK-UP

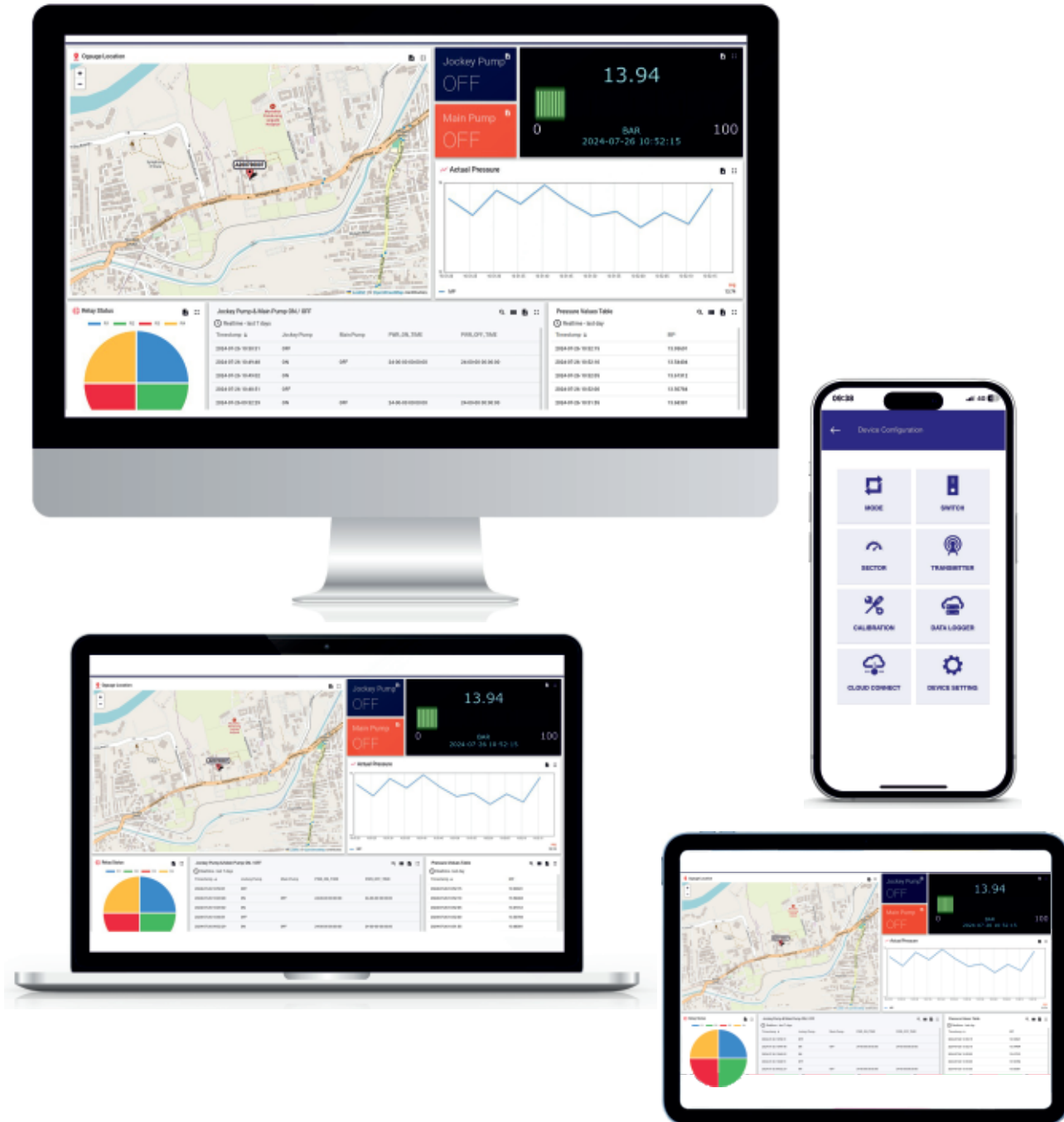
- Plug and Play Solution
- Works on 230 VAC
- 2 hr. Power Back-up Included

1. WiFi Dongle (with active data SIM)*
2. Power Supply with Backup
3. Terminal PCB for Easy Wiring
4. Fitting Screws (4 Nos.)
5. Cable Entry (5 Nos.) M20 x 1.5
6. 230 VAC Input (Connect through 3 Pin Plug)
7. 19 Core Cable (length - 1m)
(Connect to Ogauge using 19 Pin Connector)

*Mobile network needed at installation point



WEB DASHBOARD AND MOBILE APP VIEW



Note : As efforts are made constantly to improve both design and method of manufacture, the apparatus supplied may differ in detail from illustration and data printed. Please check the specifications while ordering



Certificate No.: **FM 72815**

Kaustubha Udyog

AN ISO9001:2015 COMPANY

S. No. 36/1/1, Sinhgad Road, Vadgaon Khurd, Near Lokmat Press, Pune 411 041. INDIA

Tel. : +91-(0) 20-24393577 / 24393877

Telefax : +91-(0) 20-24393577 / 25460486

Email : sales@ogauge.io

Website : www.ogauge.io